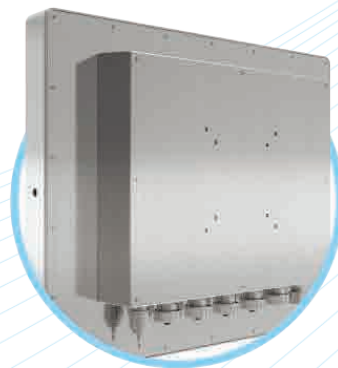


rSPOS



Stainless Steel
SUS 304 Chassis



Waterproof Circular Connectors

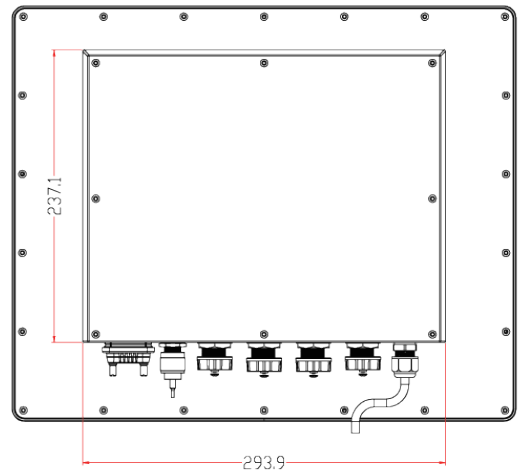
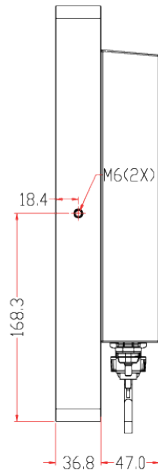
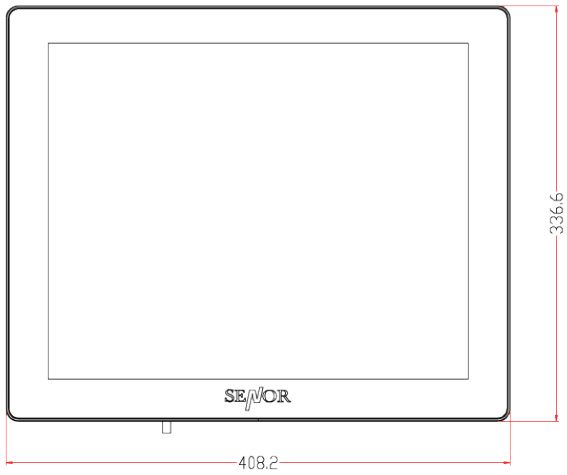


IP66 Certification
Fanless & Ventless

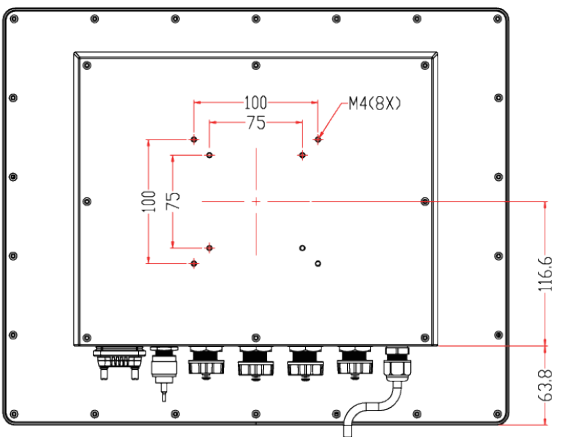
SEÑOR

rSPOS J617/T317 (17")

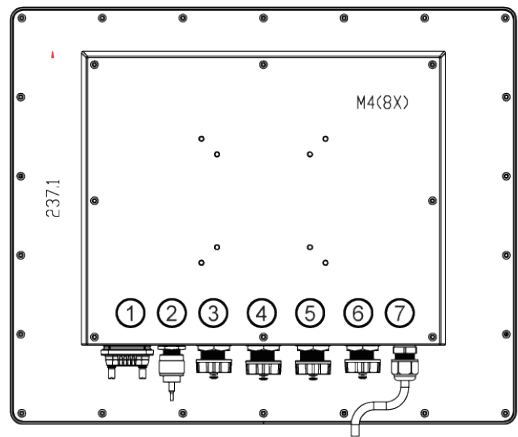
Dimensions



VESA Mount

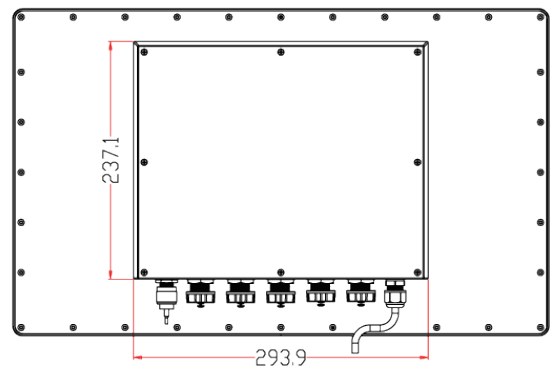
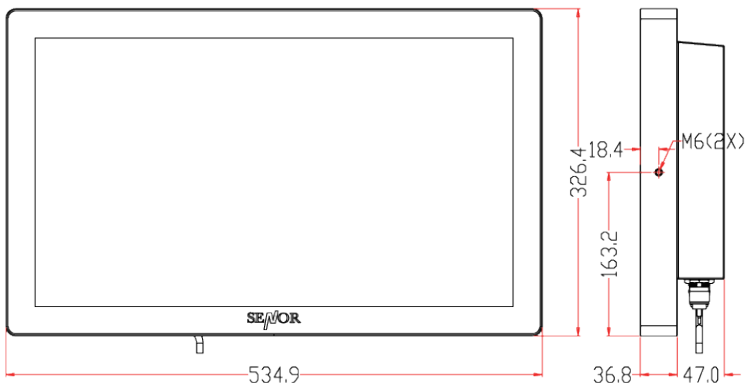
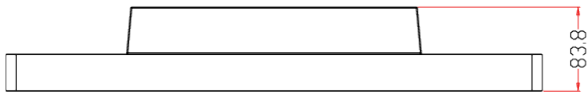


I/O Placement

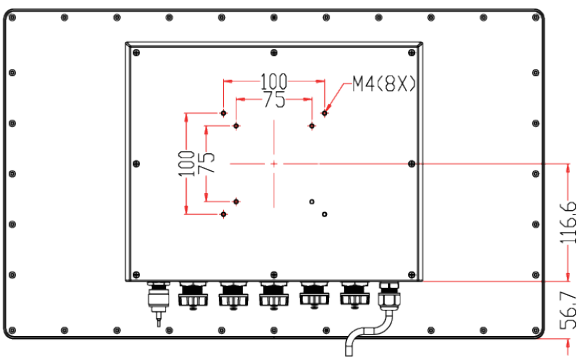


rSPOS J621/T321 (21.5")

Dimensions

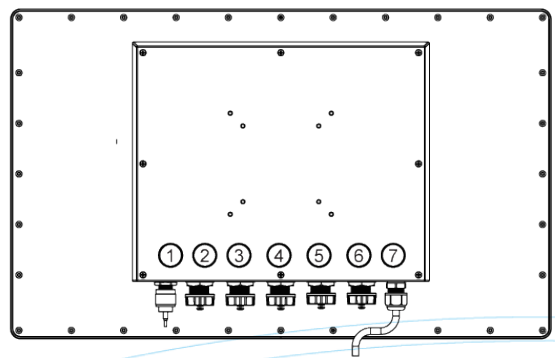


VESA Mount



I/O Placement

COM: 1
Wifi: 2
LAN: 3,4
USB: 5,6
Power: 7





SPECIFICATIONS

	rSPOS J617 (17") rSPOS J621 (21.5")	rSPOS T317 (17") rSPOS T321 (21.5")
PROCESSOR	Intel Celeron Quad Core J6412 2.0 GHz (Turbo Boost up to 2.6 GHz)	Intel Dual Core i3-1215U 1.2 GHz (Turbo Boost up to 4.4 GHz)
SYSTEM MEMORY	8 GB DDR4 RAM (up to 32 GB)	8 GB DDR4 RAM (up to 32 GB)
STORAGE	1 x 128 GB PCIe Gen3x4 M.2 2280 SSD 1 x PCIe Gen3x2 M.2 2280 expansion socket	1 x 128 GB PCIe Gen4x4 M.2 2280 SSD 1 x PCIe Gen4x4 M.2 2280 expansion socket

DISPLAY

	17" TFT LCD 21.5" TFT LCD	17" TFT LCD 21.5" TFT LCD
SIZE	17" TFT LCD 21.5" TFT LCD	17" TFT LCD 21.5" TFT LCD
RESOLUTION	1280 x 1024 pixels 1920 x 1080 pixels	1280 x 1024 pixels 1920 x 1080 pixels
BRIGHTNESS	350 cd/m ² 250 cd/m ²	350 cd/m ² 250 cd/m ²
TOUCH SCREEN PANEL	Projected capacitive touch (10 point, multi-touch)	Projected capacitive touch (10 point, multi-touch)

I/O INTERFACE

USB PORT (WATERPROOF)	3 x USB 2.0 (up to 5 x USB 2.0)	3 x USB 2.0 (up to 5 x USB 2.0)
SERIAL PORT (WATERPROOF)	1 x DB9 (up to 4 x DB9)	1 x DB9 (up to 4 x DB9)
ETHERNET PORT (WATERPROOF)	1 x RJ45 10/100/1000 Mbps (up to 2)	1 x RJ45 10/100/1000 Mbps (up to 2)

OPERATING SYSTEM

WINDOWS	10 IoT / 10 Pro / 11 IoT / 11 Pro
---------	-----------------------------------

ENVIRONMENT & MECHANICAL SPECIFICATIONS

DIMENSIONS & WEIGHT	17": 408 (W) x 337 (H) x 84 (D) mm 7.6 kg 21.5": 535 (W) x 327 (H) x 84 (D) mm 9.6 kg
CHASSIS MATERIAL	SUS 304 stainless steel
VESA PATTERN	75 x 75 mm / 100 x 100 mm
IP RATING	IP66 whole unit
TEMPERATURE	Operating: 0°C to 40°C Storage: -20°C to 60°C Customized: -10°C to 50°C
HUMIDITY	10% to 90% (non-condensing)
POWER CONSUMPTION	rSPOS J617/T317 (17") DC output: 19 V / 2.36 A 72 W (max.) AC input: 100 V-240 V rSPOS J621/T321 (21.5") DC output: 19 V / 3.78 A 72 W (max.) AC input: 100 V-240 V

MODEL OPTIONS

WIRELESS LAN	Wi-Fi 802.11 b/g/n
CUSTOMISED I/O PORTS	2 x USB 2 x LAN 1 x Serial

ALL PRODUCT SPECIFICATIONS ARE SUBJECT TO CHANGE WITHOUT NOTICE.

The Senor Building

65 & 67 Weaver Street
Coopers Plains
QLD 4108, Australia

www.senortech.com.au

P: +61 7 3275 5888
sales@senortech.com.au

SENIOR
TOUCH SCREEN SOLUTIONS

Quality. Safety. Versatility.